

# SPECIAL 420DI

## 550MM x 400MM CAPACITY




### 2 WAY SEMI-AUTO SWIVEL HEAD BANDSAW



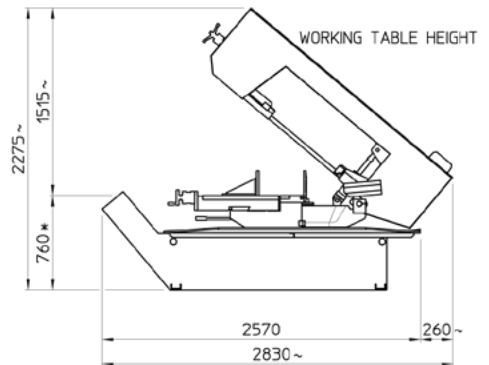
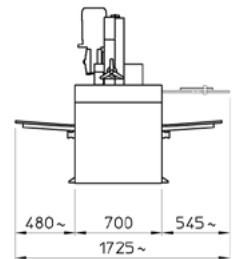
#### Features

- Italian made quality
- 2 Way swivel head enables 0° to 60° mitre cuts
- Semi-automatic machine
- Dual direction heavy duty vice
- Incorporated recirculating coolant system
- Adjustable material stop for repetitive production
- Comes complete with stand & blade



Part No.	MB-420DI-3		
Motor	2HP Three Phase (415V)		
Blade Speed	2 Speed 37 / 75mpm		
Blade Size	34mm x 1.1mm x 4610mm		
Weight	820kg		
CUTTING CAPACITY			
Cutting Angle			
90°	400mm	400 x 400mm	550 x 400mm
45° Right	400mm	380 x 380mm	410 x 300mm
60° Right	280mm	280 x 280mm	400 x 280mm
45° Left	400mm	380 x 380mm	420 x 300mm
60° Left	260mm	260 x 260mm	400 x 230mm

#### Semi Automatic Workflow



#### Optional Accessories & Consumables



#### Bandsaw Blades

Part No.	Length	Width	# Teeth
BLADE-34-4610-3/4	4610mm	34mm	3/4 TPI
BLADE-34-4610-4/6	4610mm	34mm	4/6 TPI
BLADE-34-4610-5/8	4610mm	34mm	5/8 TPI



#### Synthetic Metal Working Fluid

Cutting fluid designed for use with MACC coldsaws, bandsaws & metal working machinery that use a recirculating coolant system with fluid storage tank.



#### Roller Conveyors

- 600mm width Conveyors
  - 3m length
  - 60mm roller diameter
- Part: RS600X3