

# SPECIAL 650DI

## 620MM x 450MM SEMI-AUTOMATIC 2 WAY SWIVEL HEAD BANDSAW



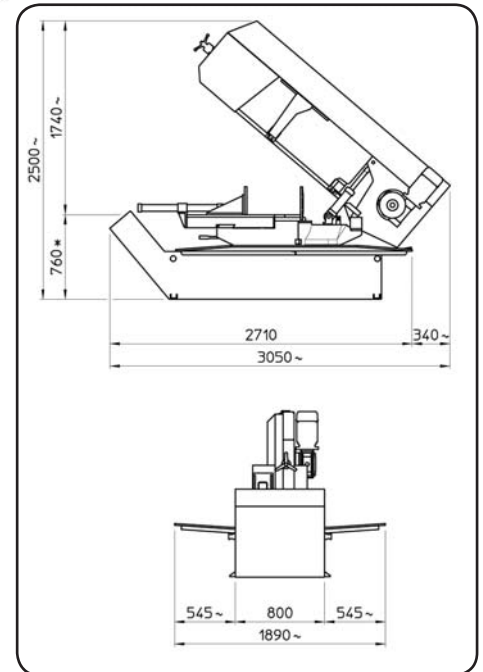
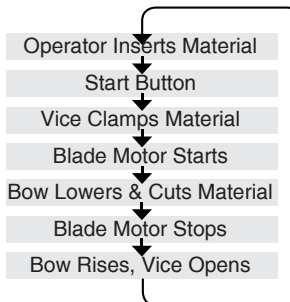
### Features

- Italian Made Quality
- 2 Way Swivel Head enables 0° to 60° mitre cuts
- Semi-automatic machine
- Dual direction heavy duty hydraulic vice
- Incorporated recirculating coolant system
- High capacity variable speed control motor with inverter
- Electro-mechanical blade tensioner
- Comes complete with stand & blade



Part No.	MB-650DI-3		
Motor	2.95HP Three Phase (415V)		
Blade Speed	Variable 23-95mpm		
Blade Size	34mm x 1.1mm x 5270mm		
Weight	1250kgs		
CUTTING CAPACITY			
Cutting Angle			
90°	460mm	450 x 450mm	620 x 450mm
45° Right	450mm	430 x 430mm	450 x 400mm
60° Right	300mm	300 x 300mm	270 x 420mm
45° Left	450mm	410 x 410mm	450 x 340mm
60° Left	240mm	300 x 300mm	320 x 220mm

### Semi Automatic Workflow



### Optional Accessories & Consumables



### Bandsaw Blades

Part No.	Length	Width	# Teeth
BLADE-34-5270-2/3	5270mm	34mm	2/3 TPI
BLADE-34-5270-3/4	5270mm	34mm	3/4 TPI
BLADE-34-5270-4/6	5270mm	34mm	4/6 TPI
BLADE-34-5270-5/8	5270mm	34mm	5/8 TPI



### Synthetic Metal Working Fluid

Cutting fluid designed for use with MACC coldsaws, bandsaws & metal working machinery that use a recirculating coolant system with fluid storage tank.



### Roller Conveyors

- 600mm width Conveyors
  - 3m length
  - 60mm roller diameter
- Part: RS600X3