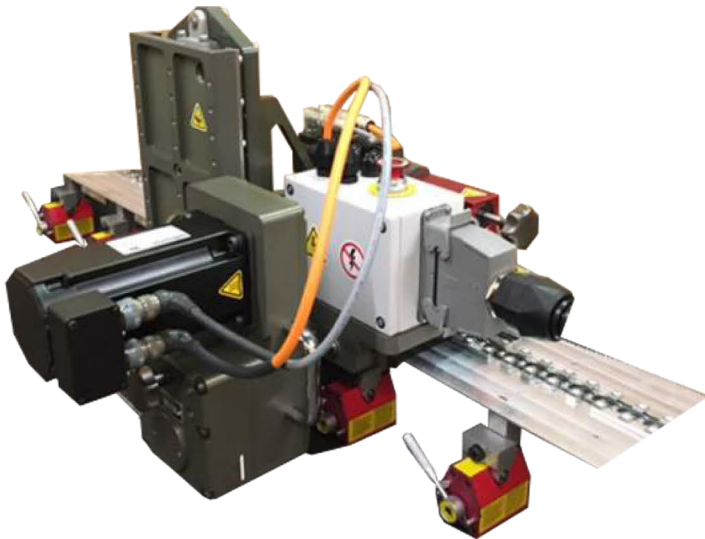


WELD SHAVER CARRIAGE



The weld shaver carriage uses force compliance to allow the weld shaver head to maintain contact over contoured surfaces and ensures a consistent and precision weld removal.

Force compliance technology combined with DC Servo Spindles increases:

- Quality
- Consistency
- Media Life
- Operator Safety

The weld shaver removes up to 90% of the weld height at a rate of up to 3 ft/min (61 cm/min) and can remove welds of 0.375 - 3 Inches (0.9525 - 7.62 cm) wide in all positions.



SHIP BUILDING



TANK BUILDING



WIND TOWERS

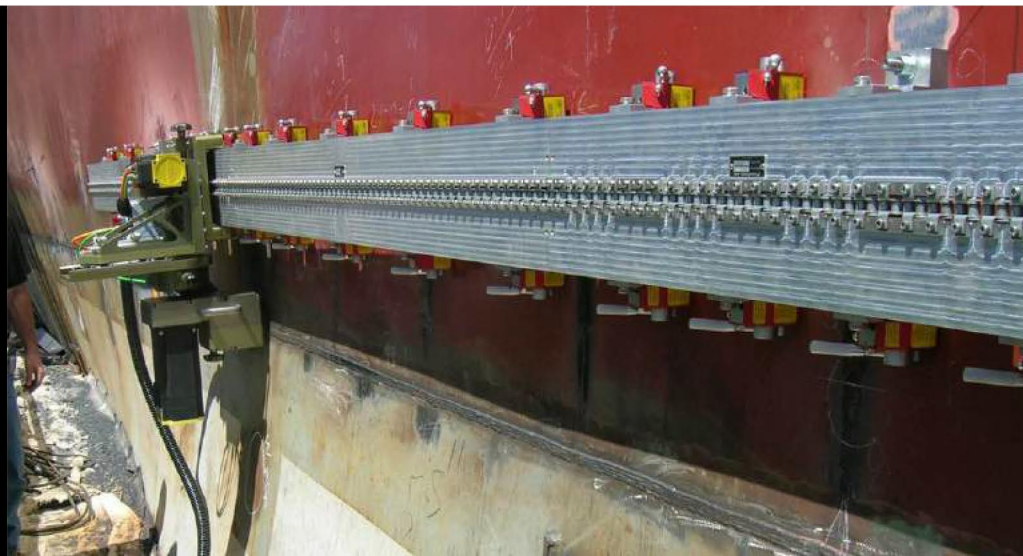


PIPELINES

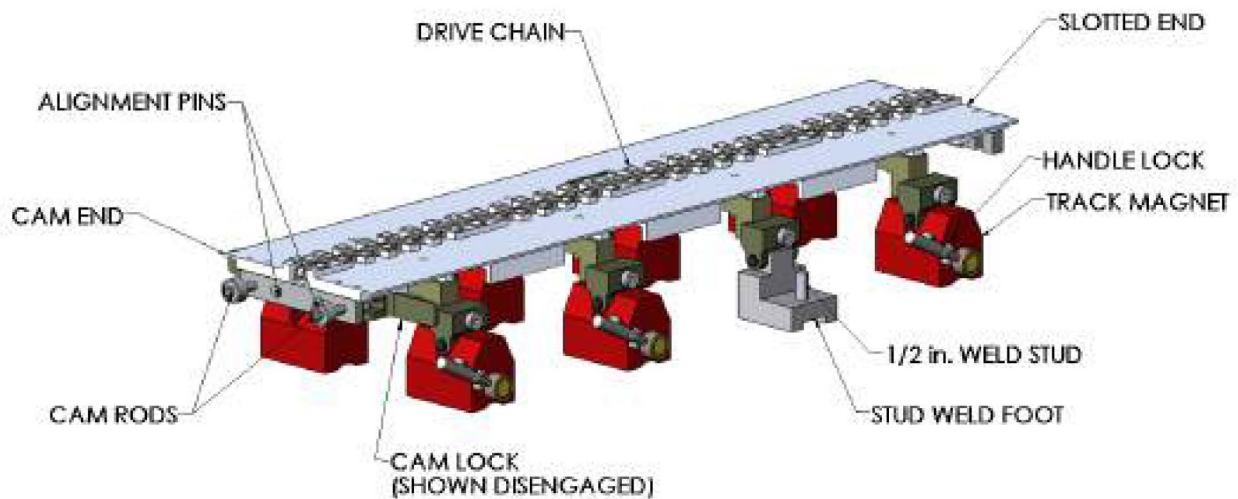
REMOVE WELDS AT A RATE OF 3 FT/MIN (61 CM/MIN) up to 3 IN (7.62 CM) WIDE



GULLCO.COM

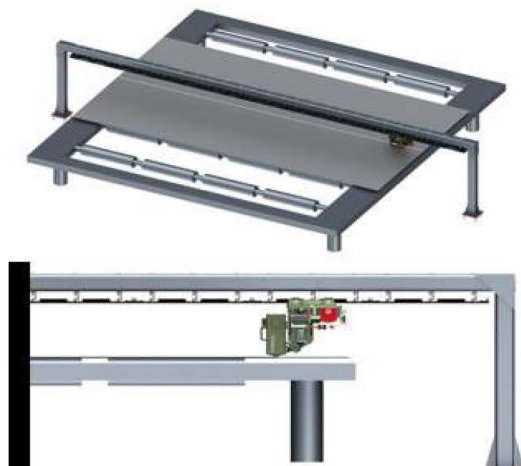


TRACK SECTIONS



The portable track is available in three configurations, a 35 in. (0.9m) High-Flex, 35 in. (0.9m) Flex, and a 70 in. (1.8m) Flex. All track configurations are held to the steel surface via eight (8) high strength magnets that generate over 200 lbs. (890 N) of holding force. These magnets must be supplemented with attachment feet that are secured to the panel via 1/2" weld studs during Horizontal, Vertical, or Overhead orientations, providing a "fail safe" connection. The High-Flex Track configuration must be utilized for any panel with a bend radius less than 10m (400 in.). The High-Flex Track has a minimum bend radius of 60 in. (1.5 m). The Flex Track may be used on any panel with a bend radius greater than 400 in. (10 m), allowing fewer track sections to be utilized.

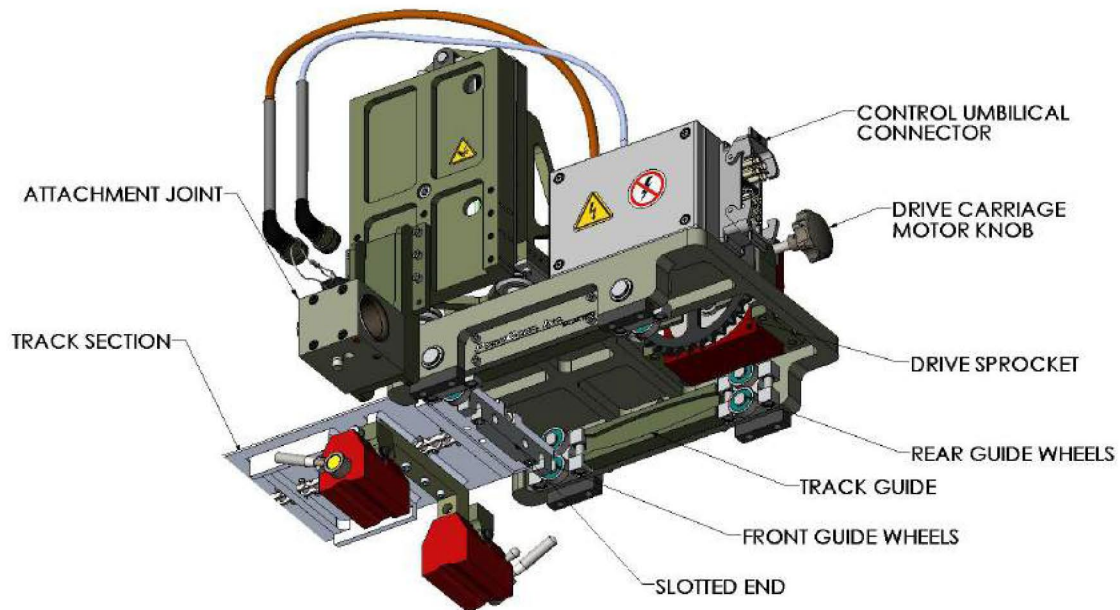
GANTRY TABLE SETUP



MANIPULATOR SETUP

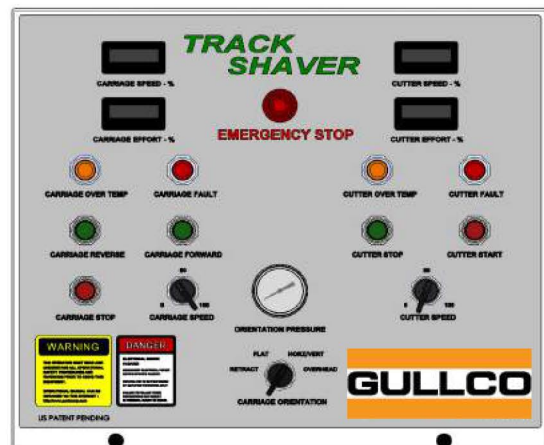
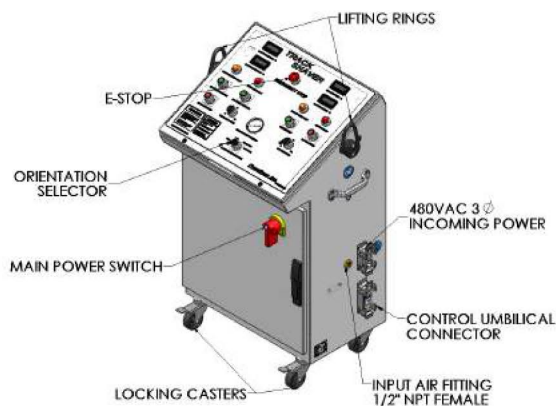


CARRIAGE OVERVIEW



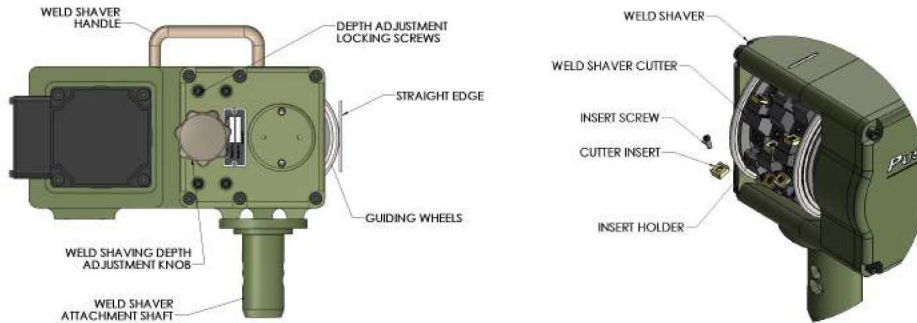
System is an automated solution for the rapid removal of weld beads above a panel surface. The Weld Shaver is moved along a track by the Drive Carriage with the user managing everything remotely from the Control Console. The TWS91 System is comprised of five major components; the Track (either Flex or High-Flex), the Drive Carriage, the Weld Shaver, the Control Umbilical, and the Control Console.

CONTROL OVERVIEW



The Control Console allows the operator to completely manage the weld shaving process from a safe distance. The operator adjusts the Drive Carriage servo motor (Feed Rate) and the Weld Shaver servo motor (Cutting Speed) with rotary knobs. Speed and effort displays for each motor are also located on the console. The cutting force and retract is set from the Control Console, through the Orientation Selector. The Control Console is fitted with lifting eyes and locking casters for maneuvering the unit to and around the work area.

SHAVER HEAD



Utilizing a high torque servo motor coupled to a series of slotting cutters through a belt reduction, the Weld Shaver machines the weld seam off. The 5 in. (125 mm) diameter slotting cutters utilize standard carbide inserts which have two cutting edges. The insert can be rotated after the first edge becomes dull. These inserts are easily removed and installed in preset holders using a Torx driver. The servo motor allows the cutting speed to be accurately set and the cutting effort monitored during the process. The Weld Shaver can be configured to cut weld seams up to 2.25 in. (57 mm) in width.

SWS 100-3.7 SERIES WELD SHAVER HEAD

SWS100-3.7 20 mm

- Power: 4.8 Hp [3.61 kW]
- Maximum SFM: 3000 SFM
- Cutting Width: .78 in. [20 mm]

SWS100-3.7 39 mm

- Power: 4.8 Hp [3.61 kW]
- Maximum SFM: 3000 SFM
- Cutting Width: 1.53 in. [39 mm]

SWS100-3.7 59 mm

- Power: 4.8 Hp [3.61 kW]
- Maximum SFM: 3000 SFM
- Cutting Width: 2.32 in. [59 mm]

SWS 100-7.2 SERIES WELD SHAVER HEAD

SWS100-7.2 20 mm

- Power: 8.4 Hp [6.24 kW]
- Maximum SFM: 3900 SFM
- Cutting Width: .78 in. [20 mm]

SWS100-7.2 39 mm

- Power: 8.4 Hp [6.24 kW]
- Maximum SFM: 3900 SFM
- Cutting Width: 1.53 in. [39 mm]

SWS100-7.2 59 mm

- Power: 8.4 Hp [6.24 kW]
- Maximum SFM: 3900 SFM
- Cutting Width: 2.32 in. [59 mm]

KAT, KBM, MOGGY, KATBAK & SAM are registered trademarks of Gullco Enterprises Limited

SPECIFICATIONS ARE SUBJECT TO CHANGE WITHOUT NOTICE

Distributed by:



Arcent (Singapore) Pte Ltd

2, Yishun Industrial Street 1
Northpoint Bizhub #07-11
Singapore 768159
Tel: +65 6356 6997
Fax: +65 6356 4854

sales@arcentwelding.com
www.arcentwelding.com

GULLCO.COM