

HOLEMAKER PRO 35 QUALITY, COMPACT & ROBUST FULLY FEATURED MACHINE



The Holemaker PRO 35 is a high quality, compact and robust, fully featured machine. Weighing in at just 10kg, this machine is ideal for those on-site and overhead tasks, whilst the solid, robust construction means the HMPRO35 is perfect for everyday manufacturing type applications.



The 35mm diameter and 52mm depth cutting capacity will suffice for most general holemaking requirements. Other standard features include a gravity feed coolant system with a magnetically attached coolant bottle, which can be easily removed and attached to the work piece, allowing coolant feed whilst drilling in horizontal applications. The feed handles can be placed on either the left or right hand side, providing further versatility when using this compact machine in tight positions. Dual rail slide system provides rigidity and eliminates the need for gib adjustments. The well designed cutter guard system is easy to use and practical.

*12mm twist drill capacity using Weldon Shank twist drill bits.

OPTIONAL ACCESSORIES & CONSUMABLES



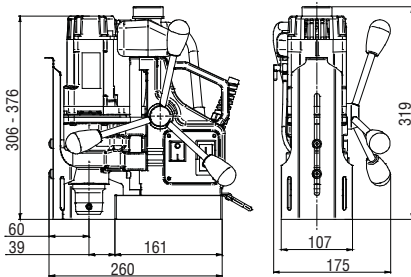
Holemaker Cutters - pg24



Weldon Shank Drills - pg43



M7 Spring Balancer -pg248



HOLEMAKER PRO 35 AUTO QUALITY, COMPACT & ROBUST FULLY FEATURED MACHINE



The Holemaker PRO 35 AUTO is equipped with many advanced systems & is an ideal cost saving solution for drilling a large number of holes with diameters up to 35mm and maximum depth up to 52mm.

Superior features of the Holemaker PRO 35 AUTO drilling machine include:

- Compact, rigid design with ultra-light weight of 13.5 kg
- Perfect combination of spindle speeds and torque reduces cycle times for both TCT and HSS cutters
- Smart control systems for excellent performance and operator's safety
- Dual rail slide system ensures extraordinary rigidity and maintenance free operation
- Highest quality magnetic base reduces the minimum work piece thickness to 6mm
- Integrated cutter guard
- Large capacity coolant tank



OPTIONAL ACCESSORIES & CONSUMABLES



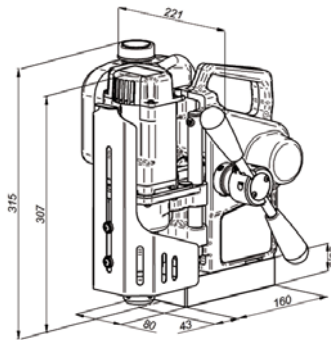
Holemaker Cutters - pg24



Weldon Shank Drills - pg43



M7 Spring Balancer -pg248



Part No.	HMPRO35
Capacity (Diameter)	35mm
Capacity (Depth)	52mm
Motor Power	920 watt
Input Power	1000 watt Single Phase 240V
Speed	350rpm
Weight	10.0kg
Magnetic Dead Lift	9500Nm On 25mm Steel Plate
Stroke	70mm
Height (min / max)	306 / 376mm
Through Spindle Coolant System	
Smart Magnet Technology To Ensure Sufficient Magnetic Adhesion	
Supplied In Plastic Carry Case With Cutter Guard & Safety Strap	

Part No.	HMPRO35AUTO
Capacity (Diameter)	35mm
Capacity (Depth)	52mm
Motor Power	920 watt
Input Power	1000 watt Single Phase 240V
Speed	350rpm
Weight	13.5kg
Magnetic Dead Lift	9500Nm On 25mm Steel Plate
Stroke	70mm
Height (min / max)	306 / 376mm
Through Spindle Coolant System	
Smart Magnet Technology To Ensure Sufficient Magnetic Adhesion	
Supplied In Metal Carry Case With Cutter Guard & Safety Strap	