

PRO 5 PB PORTABLE PIPE BEVELLER

Overview

The Trademaster PRO 5 PB is a European made I.D. mounted pipe beveling machine, designed for portable use by a single operator. The self-centring expandable mandrel provides quick and correct alignment to pipe or tube prior to machining operations.

The Pro 5 PB is able to simultaneously perform 3 of the following operations - external bevel, internal bevel, face off, I.D. chamfer, J-groove bevel, and counterbore. Available with

Specifications

Pipe machining range:

- 32mm I.D. minimum pipe capacity
- 114mm O.D. maximum pipe capacity
- 140mm O.D. maximum pipe capacity with optional 140mm spindle disc set
- 12mm maximum wall thickness

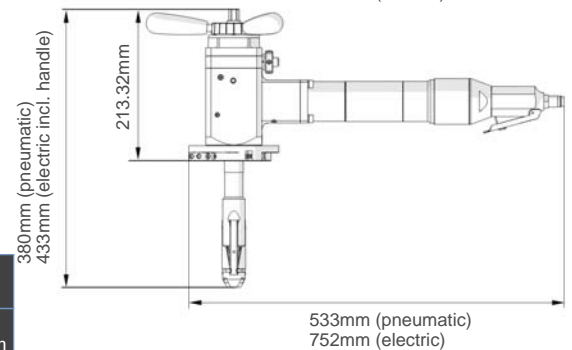
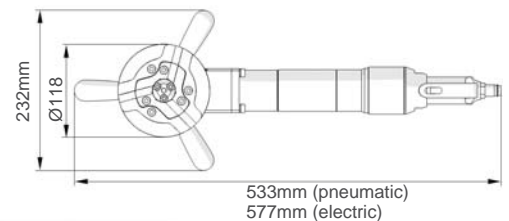
Package Includes

- PRO 5 PB Beveling Machine
- Electric or Pneumatic Motor
- Mandrel 32mm I.D. to 107mm I.D.
- 118mm spindle disc
- Set of jaw blocks (1,2,3,4,5,6), 3 sets
- Set of tools
- Coolant container
- Operator's manual



**PRO 5 PB
shown with
electric motor**

| Part No. | WA-PRO5PBE | WA-PRO5PBE |
|-----------------------|----------------------|---|
| Motor | Pneumatic Motor 800W | Electric Motor 1100W |
| Rotational Speed | 90rpm | gear 1: 0 to 90rpm gear 2: 0 to 300rpm |
| Air Consumption | 1600 l/min (49.4CFM) | - |
| Weight (incl. PRO5PB) | 10kg | 11kg |



CONSUMABLES

| Part No. | Description | Use With Pipe O.D. | | |
|-------------------|---|--------------------|-----------|------------|
| | | 32 - 56mm | 56 - 83mm | 83 - 114mm |
| WAP-B05/B30 | External Beveling HSS Cutting Tip 30° | | ✓ | ✓ |
| WAP-B05/B30D | External Beveling HSS Cutting Tip 30° Deep | ✓ | ✓ | |
| WAP-B05/B37 | External Beveling HSS Cutting Tip 37.5° | | ✓ | ✓ |
| WAP-B05/B37D | External Beveling HSS Cutting Tip 37.5° Deep | ✓ | ✓ | |
| WAP-B05/B45 | External Beveling HSS Cutting Tip 45° | | ✓ | ✓ |
| WAP-B05/B45D | External Beveling HSS Cutting Tip 45° Deep | ✓ | ✓ | |
| WAP-B05/IC1540 | Internal Beveling HSS Cutting Tip 15° For Diameters Under 56mm | ✓ | | |
| WAP-B05/IC1540/56 | Internal Beveling HSS Cutting Tip 15° For Diameters Over 56mm | | ✓ | ✓ |

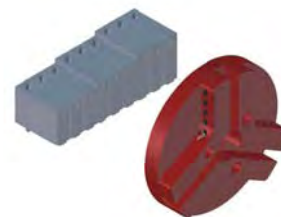
| Part No. | Description |
|----------------|--|
| WAP-B05/BJ20R8 | J-Groove Beveling HSS Cutting Tip 20° R8 |
| WAP-B05/BJ10R6 | J-Groove Beveling HSS Cutting Tip 10° R6 |
| WAP-B05/BJ15R2 | J-Groove Beveling HSS Cutting Tip 15° R2 |
| WAP-B05/F030 | Facing HSS Cutting Tip 30mm Width |
| WAP-B05/BJ15R2 | J-Groove Beveling HSS Cutting Tip 15° R2 |

ACCESSORIES



75mm Spindle Disc WAP-B05/140

For working in tight spaces of 75mm width or more (standard machine setup requires 118mm or more.) When used in this manner the standard handles must be replaced with a ratcheting wrench.



Extension Set WAP-B05/130

Extension set for OD up to 140mm. Including 140mm spindle disc and jaw blocks 3 sets (7, 8, 9)



PRO 10 PB PORTABLE PIPE BEVELLER



Overview

The Trademaster PRO 10 PB is a European made I.D. mounted portable pipe beveling machine. Although it is a large capacity heavy duty machine, it can be used efficiently by a single operator, weighing in at a total of just 31.5kg.

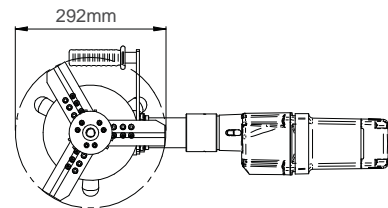
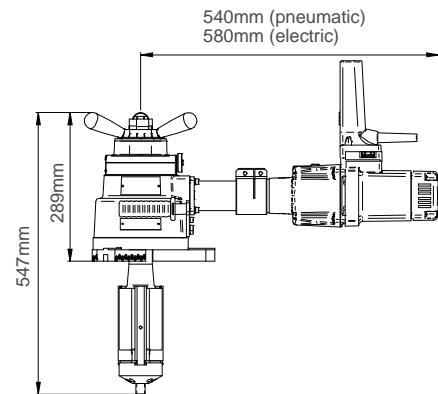
The self-centring expandable mandrels provide quick and correct alignment to pipe.

The PRO 10 PB can simultaneously perform 3 of the following operations – internal bevel, external bevel, J-groove bevel, face off, I.D. chamfer and counterbore. Whilst the machine can be operated with just 1 cutting insert, optimal results are achieved by using 3 cutting inserts at once.

The PRO 10 PB is available with either a pneumatic motor or high torque electric motor.

Package Includes

- PRO 10 PB Beveling Machine
- Electric or Pneumatic motor
- Mandrel for pipe 84mm I.D. to 269mm I.D.
- Jaw block set no. 1 to 6
- Toolbox & tools
- Coolant bottle



| Part No. | WA-PRO10PBA | WA-PRO10PBE |
|--------------------------------|-----------------------|---|
| Motor | Pneumatic Motor 1.5kw | Electric Motor 1.8kw |
| Power Requirements | 1750 l/min at 630 kPa | 230V/50Hz |
| Spindle Speed | 20rpm | 2 Speed Gearbox With Electronic Variable Speed 12 - 28; 41 - 96rpm |
| Weight (with standard mandrel) | 32.0kg | 36.0kg |

PRO 10 PB

(continued)

MACHINE WORKING RANGE

PIPE BEVELLING & FACING RANGE - STANDARD

| | |
|-------------------------|---|
| With standard equipment | PIPE I.D. 84 - 269mm Tooling Reach 292mm |
| Maximum wall thickness | 15mm |

PIPE BEVELLING & FACING RANGE - WITH OPTIONAL ATTACHMENTS

| | |
|---|--|
| With optional Small Expanding Mandrel Set (Part No. WAP-PB10/510) | PIPE I.D. 38 - 86mm Tooling Reach 292mm |
| With optional Large Expanding Mandrel Set (Part No. WAP-PB10/540) | PIPE I.D. 126 - 296mm Tooling Reach 292mm |
| With optional Range Increasing Set (Part No. WAP-PB10/550). Recommended for wall thickness up to 7mm | PIPE I.D. 192 - 365mm Tooling Reach 372mm |

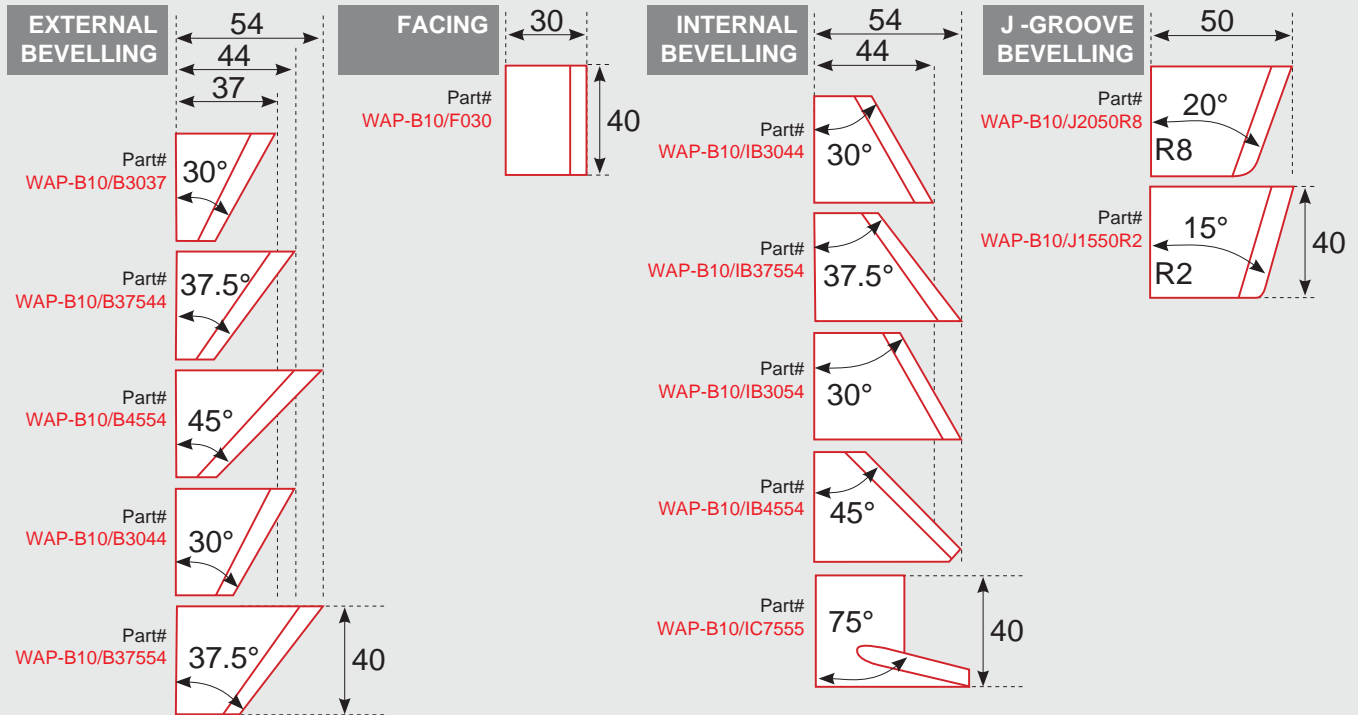
FLANGE TURNING RANGE - WITH OPTIONAL ATTACHMENTS

| | |
|--|---|
| With standard mandrel & optional Flange Turning Attachment (Part No. WAP-PB10/520) | PIPE I.D. 84 - 269mm Turning Range 90 - 508mm |
| With optional Flange Turning Attachment (Part No. WAP-PB10/520) & optional Large Expanding Mandrel Set (Part No. WAP-PB10/540) & optional Range Increasing Set (Part No. PB10/550) | PIPE I.D. 219 - 392mm Turning Range 90 - 508mm |



CUTTING INSERTS

HIGH SPEED STEEL



PRO 10 PB

(continued)

OPTIONAL ATTACHMENTS

SMALL EXPANDING MANDREL SET

Part# **WAP-PB10/510**

Specifications

- Enables machining of pipe 38 to 86mm I.D.
- 292mm tooling reach
- Includes jaw blocks No.1 to No.5



RANGE INCREASING SET

Part# **WAP-PB10/550**

Overview

Extension set designed to increase the machining range up to 365mm I.D. Includes 3 steel tool bit holders to increase the tooling reach to 372mm, and jaw blocks No.7 to No.12 to increase the pipe range to 192 - 365mm I.D. Supplied in a metal box.

Specifications

- Enables machining of pipe 192 - 365mm I.D. with standard mandrel fitted
- 372mm tooling reach
- Recommended for wall thickness up to 7mm



OVAL PIPE ATTACHMENT

Part# **WAP-B10/530**

Overview

Attachment for bevelling and facing oval shaped pipe. The spring loaded guide roller rotates on the I.D. of the pipe, and allows the cutting insert to move in and out with the oval pipe up to 15mm.

Specifications

- 84 - 269mm I.D. with standard jaw block set
- 126 - 296mm I.D. with optional Large Expanding Mandrel Set (WAP-B10/540)



FLANGE TURNING ATTACHMENT

Part# **WAP-PB10/520**

Part# **WAP-PB10/520INSERT** (Indexable carbide insert to suit)

Overview

Flange turning attachment using indexable carbide inserts with cutting capacities 90 to 508mm diameter. The machine can mill inwards or outwards at a feed rate of 0.33mm or 0.66mm per revolution, using a bumper system to automatically feed the carbide insert with each revolution of the machine.

Specifications

- Minimum milling diameter : 90mm
- Maximum milling diameter : 508mm
- Feed rate: 0.33mm per revolution using 1 bumper or 0.66mm per revolution using 2 bumpers
- Recommended maximum milling depth : 0.5mm per pass



LARGE EXPANDING MANDREL SET

Part# **WAP-PB10/540**

Overview

Specifically designed to be used with optional Flange Turning Attachment (WAP-PB10/520) & Range Increasing Jaw Block Set (WAP-PB10/550) for flange turning on pipe up to 392mm I.D. and turning range up to 508mm diameter

Specifications

- 126 - 296mm I.D. with standard jaw block set
- 292mm tooling reach



PRO 40 PBS PIPE BEVELLING MACHINE

Overview

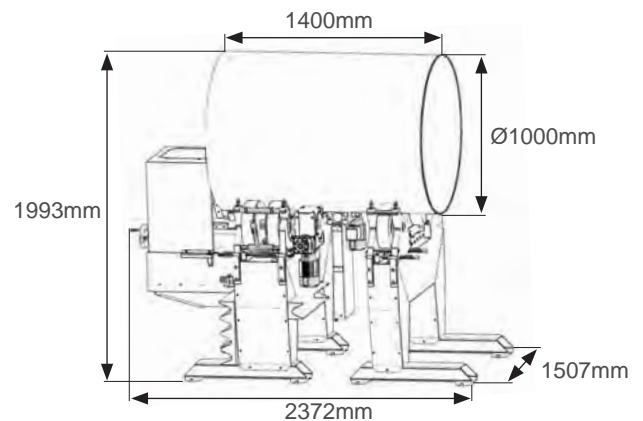
The PRO 40 PBS is designed for bevelling and facing pipes, tanks and tubes in a range of diameters from 200mm to 1000mm. A high-speed rotary milling head with replaceable inserts enables effective and efficient machining with bevel widths up to 45mm and angles between 0° and 60°. Internal bevelling and J-groove end preparation is an available option.

An optional Oval Pipe attachment is available for bevelling of pipe which is not truly round.

The use of a heavy duty milling head in the PRO 40 PBS offers accurate bevels in a fraction of the time compared to traditional single point machining. This feature saves time and money as well as improving accuracy.



| | |
|------------------------------|---|
| Part No. | PRO40PBS |
| Power supply | Single Phase 240V |
| External pipe diameter range | 200-1000mm Pipe Longer Than 830mm; 200-600mm Pipes Of 400-830mm Length |
| Maximum pipe weight | 6 000kg With Standard Plastic Rollers On Active Support 10 000kg With Optional Steel Rollers On Active Support |
| Min. pipe thickness | 5mm |
| Pipe fixing | Mechanical With Chain |
| Feed rate | 100 - 1100 mm/min |
| Bevelling angle range | 0° - 60° With Continuous Angle Adjustment |
| Max OD bevel width | 45mm |
| Max ID bevel width | 5mm Standard, Up To 20mm - Optional |
| Bevelling type "J" | YES - Optional |
| "J" type bevelling radius | 6mm or 8mm |
| Weight | 1100kg |



*Dimensions shown are with 1400mm length pipe

Optional Accessories & Consumables

| Part No. | Description |
|--------------|--|
| WAP-B40/8010 | Standard Milling Head |
| WAP-B020 | Replacement Standard Cutting Tips (7 Required) |
| WAP-B10 | Cutting Tips For Hard Steels (7 Required) |
| WAP-B40/8020 | J-Groove R6 Milling Head |
| WAP-B40/8040 | J-Groove R6 Cutting Tip (6 Required) |
| WAP-B40/8030 | J-Groove R8 Milling Head |
| WAP-B40/8050 | J-Groove R8 Cutting Tip (5 Required) |
| WAP-B40/8090 | Oval Attachment |

Operations With Optional Heads

J-groove Bevelling

Internal Bevelling

